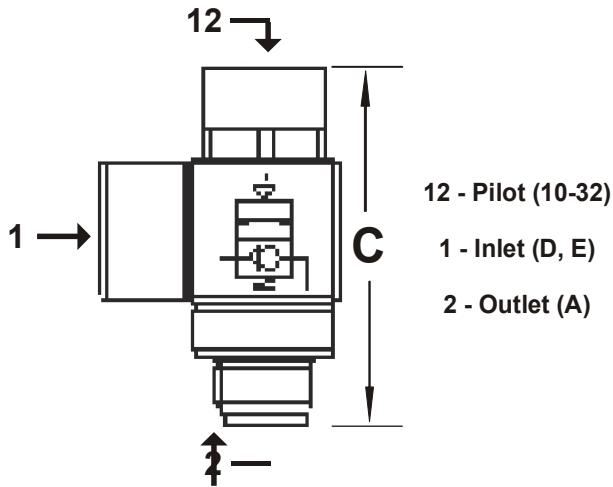




# Pilot Operated Check Valve



A	C (mm)	Maximum Tightening Torque		With Threaded Banjo		With Push-in Fitting	
				D	Part Number	E	Part Number
1/8 NPTF	41.0	7 Nm	5.1 lbs/ft	1/8 NPTF	POC18	5/32" / 1/4"	POC18-532 POC18-14
1/4 NPTF	48.0	15 Nm	11.0 lbs/ft	1/4 NPTF	POC14	1/4" / 3/8"	POC14-14 POC14-38
3/8 NPTF	55.0	20 Nm	14.7 lbs/ft	3/8 NPTF	POC38	3/8"	POC38-38
1/2 NPTF	65.5	20 Nm	14.7 lbs/ft	1/2 NPTF	POC12	-	-

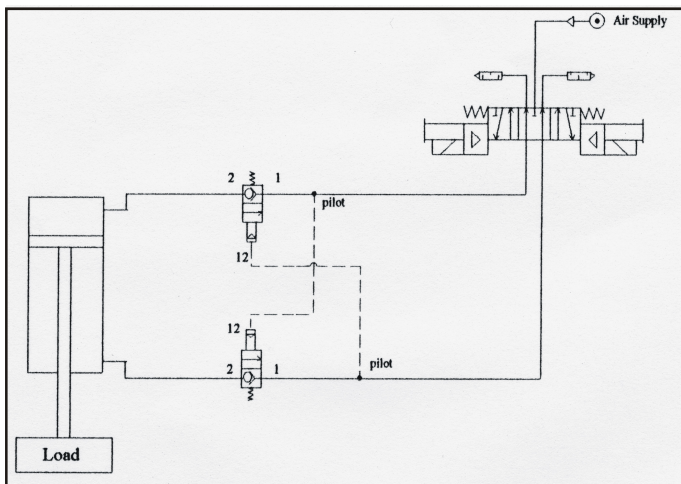
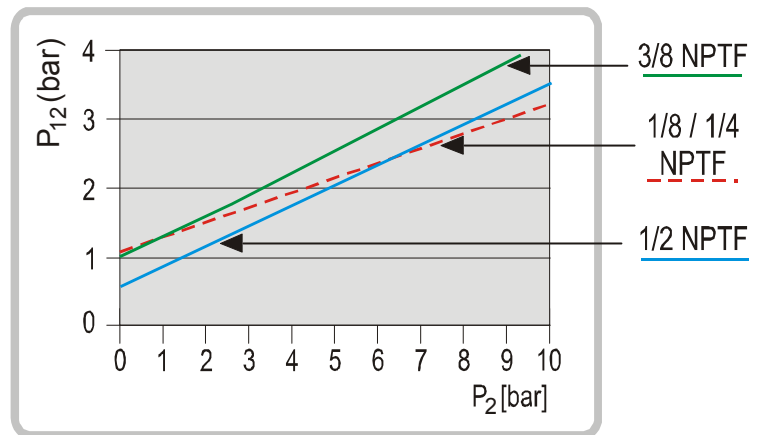
Manual override - Place (-M) on the end of the part #. 1/2" not available.

Flow - From 2 to 1 with Throttle Closed (SCFM) - $p_1$			
1/8NPTF	1/4NPTF	3/8NPTF	1/2NPTF
10.2	23.9	40.8	67.5

Flow - From 1 to 2 with Throttle Closed (SCFM) - $p_2$			
1/8NPTF	1/4NPTF	3/8NPTF	1/2NPTF
4.5	21.8	41.25	66.67

## Signal Pressure Characteristics

Minimum signal pressure  $P_{12}$  to open the valve



"G" threads available upon request. Tightening torques are valid without using thread sealant. All information is subject to change without notice.

Flotronics, Inc.  
10435 Ortonville Road  
Clarkston MI 48348-1947

Phone: (248) 625-8890  
Fax: (248) 625-8818

Web Site: [www.flotronicsinc.com](http://www.flotronicsinc.com)

## Pilot Operated Check Valve with Integral Flow Control

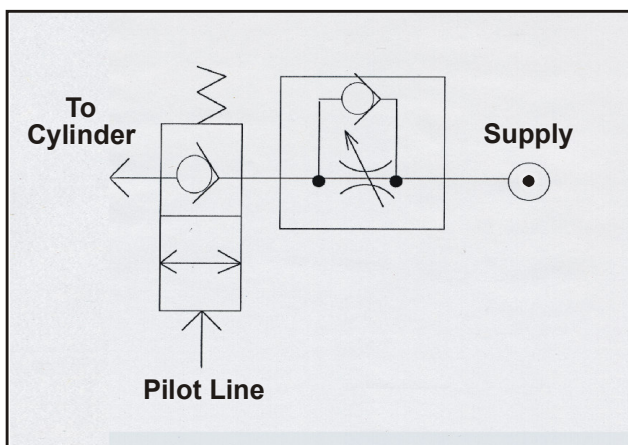


Part Number	Thread	Tube	Pilot Port
POCFC18-532	1/8 NPT	5/32	10 - 32
POCFC18-14	1/8 NPT	1/4	10 - 32
POCFC14-14	1/4 NPT	1/4	10 - 32
POCFC14-38	1/4 NPT	3/8	10 - 32
POCFC38-38	3/8 NPT	3/8	10 - 32
POCFC12-38	1/2 NPT	3/8	10 - 32
POCFC12-12	1/2 NPT	1/2	10 - 32

### (With Manual Override)



Part Number	Thread	Tube	Pilot Port
POCFC18-532-M	1/8 NPT	5/32	10 - 32
POCFC18-14-M	1/8 NPT	1/4	10 - 32
POCFC14-14-M	1/4 NPT	1/4	10 - 32
POCFC14-38-M	1/4 NPT	3/8	10 - 32
POCFC38-38-M	3/8 NPT	3/8	10 - 32



Flotronics, Inc.  
10435 Ortonville Road  
Clarkston MI 48348-1947

Phone: (248) 625-8890  
Fax: (248) 625-8818

Web Site: [www.flotronicsinc.com](http://www.flotronicsinc.com)